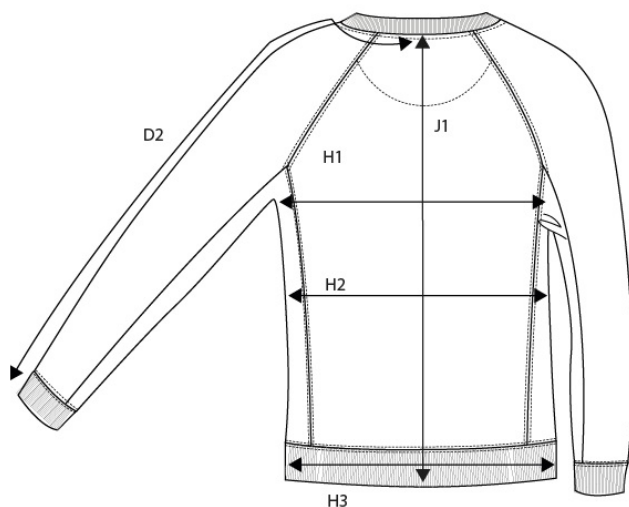
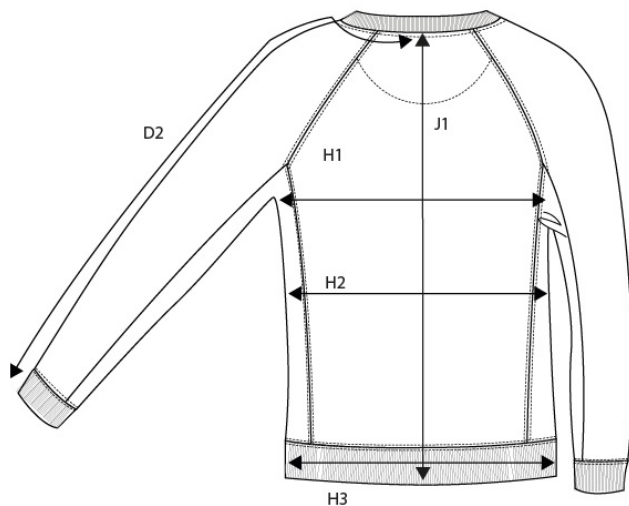


SIZE AND FIT: NEWPORT CREWNECK



NEWPORT Mens

Base size: M / Measurement (in cm)	Diagram	S	M	L	XL	XXL	3XL	4XL
CENTRE BACK TO END OF SLEEVE - RAGLAN-	D2	85,5	88	90,5	93	95,5	98	100,5
CHEST WIDTH at armhole	H1	52	55	58	61	64	67	70
WAIST	H2	47,5	50,5	53,5	56,5	59,5	62,5	65,5
BOTTOM WIDTH - RIB BOTTOM EDGE	H4	44,5	47,5	50,5	53,5	56,5	59,5	62,5
FULL LENGTH at centre back	J1	66	68	70	72	74	76	78



NEWPORT Ladies

Base size: M / Measurement (in cm)	Diagram	XS	S	M	L	XL	XXL	
CENTRE BACK TO END OF SLEEVE - RAGLAN-	D2	85,5	88	90,5	93	95,5	98	100,5
CHEST WIDTH at armhole	H1	52	55	58	61	64	67	70
WAIST	H2	47,5	50,5	53,5	56,5	59,5	62,5	65,5
BOTTOM WIDTH - RIB BOTTOM EDGE	H4	44,5	47,5	50,5	53,5	56,5	59,5	62,5
FULL LENGTH at centre back	J1	66	68	70	72	74	76	78